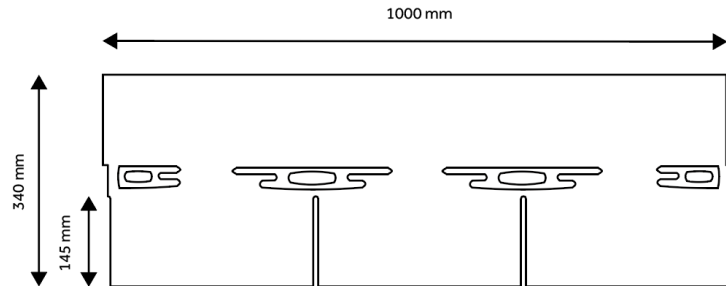


COMPLETE INFORMATION OF CE MARKING OF TEGOLA AMERICANA STANDARD



ASFALTOS CHOVA, S.A.
Ctra. Tavernes a Liria, km 4,3. 46760
Tavernes de la Vallidigna. Valencia



Bituminous plate, made of modified bitumen with reinforcement of fiberglass felt and protected by colored granules. Application on sloping roofs, with a slope greater than 15%. See application instructions. Installation temperature higher than +5°C.

TEST	METHOD	UNIT	VALUE	TOLERANCE
Weight (finished product)	-	Kg/m ²	9,4	-
Bitumen per Single Layer	EN 544	g/m ²	>1000	-
Tensile strength (L/T)	EN 544	N/50mm	>600/>400	-
Resis. to tearing	EN 544	N	>100	-
Water absorption	EN 544	%	<1	-
Resis. to UV radiation	EN 1297	Visual	Pass	-
Resis. to blistering	EN 544	Visual	Pass	-
Flow resistance (at 90°C)	EN 1110	mm	<1	-
Granules adhesion	EN 544	g	<1,5	-
External fire resistance	EN 13501-5/EN 1187	-	Broof (t1)	-
Reaction to fire	EN 13501/prEN ISO 11925-2	-	E	-

GENERAL INFORMATION

	METHOD	UNIT	VALUE	TOLERANCE
Bitumen Type	-		Oxidized Bitumen	
Length	EN 544	mm	1000	
Width	EN 544	mm	340	
Thickness	-	mm	3,0	
Exposed area	-	mm	145	
Height of slits	-	mm	>143	
Adhesion System	-	mm	Self-Adhesive Pads	

The information provided corresponds to data obtained in our own laboratories. This product will maintain these characteristics on average. ChovA, S.A. reserves the right to modify or cancel any parameter without prior notice. The guarantee of ChovA, S.A. is limited to the quality of the product. As for the commissioning, in which we do not participate, the requirements for the execution of the waterproofing specified in the applicable standards must also be met, both in the composition of the membranes and in their execution. This technical sheet will be canceled by subsequent revisions and, in case of doubt, request the latest revision.

PACKAGING

	METHOD	UNIT	VALUE	TOLERANCE
Type	-	-	Polyethylene Film	-
Shingles per Bundle	-	-	21	-
m ² /bundle	-	-	3,05	-
m ² /pallet	-	-	128,10	-
Pallet Weight	-	kg	1220	-

CODES

CODE	DESIGNATION
43021	TEGOLA AMERICANA STANDARD MARRÓN OTOÑO
43006	TEGOLA AMERICANA STANDARD NEGRO ELEGANCE
43012	TEGOLA AMERICANA STANDARD ROJO CASTILLA
43016	TEGOLA AMERICANA STANDARD VERDE GALICIA

SAFETY

The material is free of asbestos, tar compounds and other dangerous substances.

STORAGE

- o Store pallets in a dry, covered and ventilated place.
- o Store in the original packaging.
- o Do not overlap pallets to prevent the tiles from sticking to the package.
- o Use only tiles of the same production code for the execution of the same roof.

INSTRUCTIONS

- o Shingles should be placed on a continuous flat support.
- o For application on slopes between 15% and 30%, asphalt shingles must be applied nailed to a bitumen membrane type: POLITABER AUTOADHESIVA POL PY 30, POLITABER POL PY 30, etc. This first waterproofing layer may be self-adhesive, fire welded or nailed in longitudinal and transverse overlaps. For concrete or mortar supports, it will be necessary to prime the support with a bituminous primer before applying the self-adhesive or heat-welded sheets.
- o For slopes greater than 30%, it is not necessary to apply a layer of bituminous sheets under the AMERICAN TEGOLA.
- o For nailing shingles, use PUNTAS TEGOLA, special nails for concrete or wood support.
- o Do not apply singles below 5°C.
- o Place a minimum of 4 nails for the STANDARD model and CASTOR model.
- o For slopes above 60°, use a minimum of 6 nails for all models.
- o Torch or warm with hot air the area above the skirt cuts.
- o Once the application is complete, the installer is responsible for checking the proper adhesion of the shingles.
- o In case of strong wind or to improve the bonding between the skirts, it is recommended to reinforce the union between the skirts, with a bituminous sealant mastic cord.

The information provided corresponds to data obtained in our own laboratories. This product will maintain these characteristics on average. ChovA, S.A. reserves the right to modify or cancel any parameter without prior notice. The guarantee of ChovA, S.A. is limited to the quality of the product. As for the commissioning, in which we do not participate, the requirements for the execution of the waterproofing specified in the applicable standards must also be met, both in the composition of the membranes and in their execution. This technical sheet will be canceled by subsequent revisions and, in case of doubt, request the latest revision.

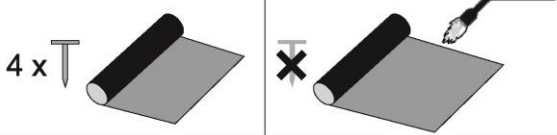
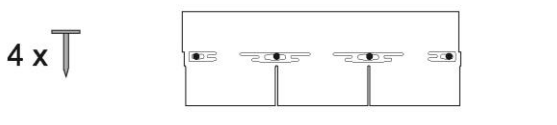
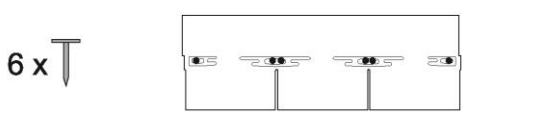
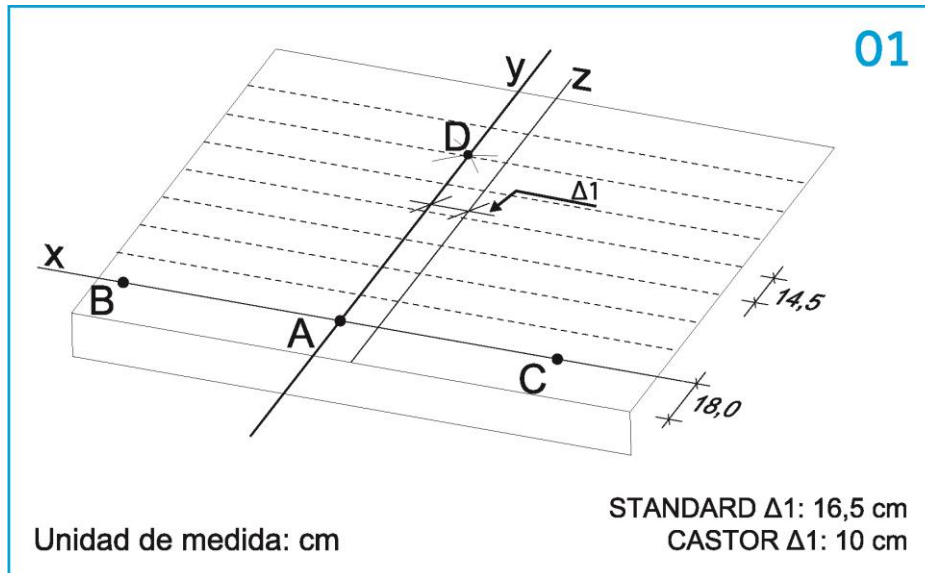
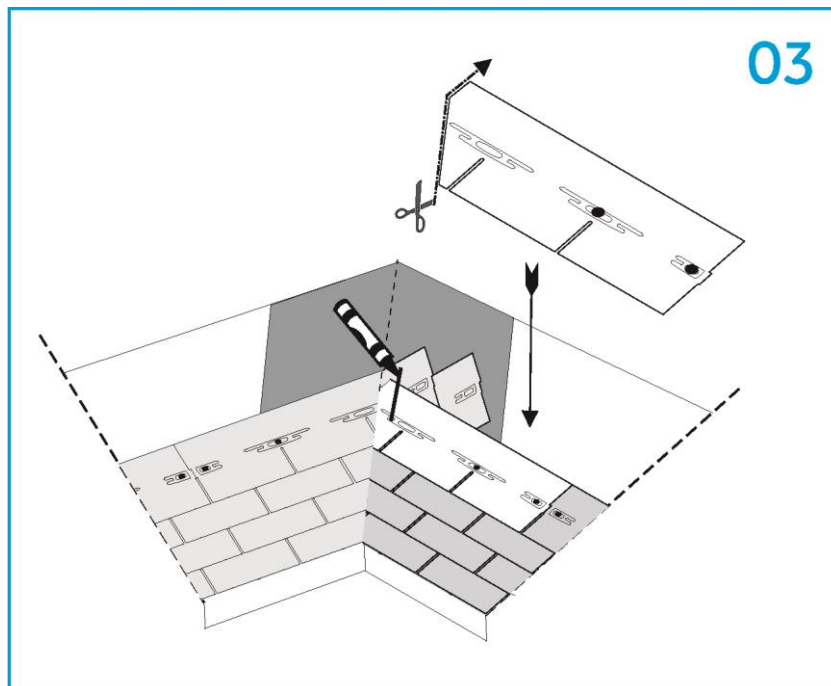
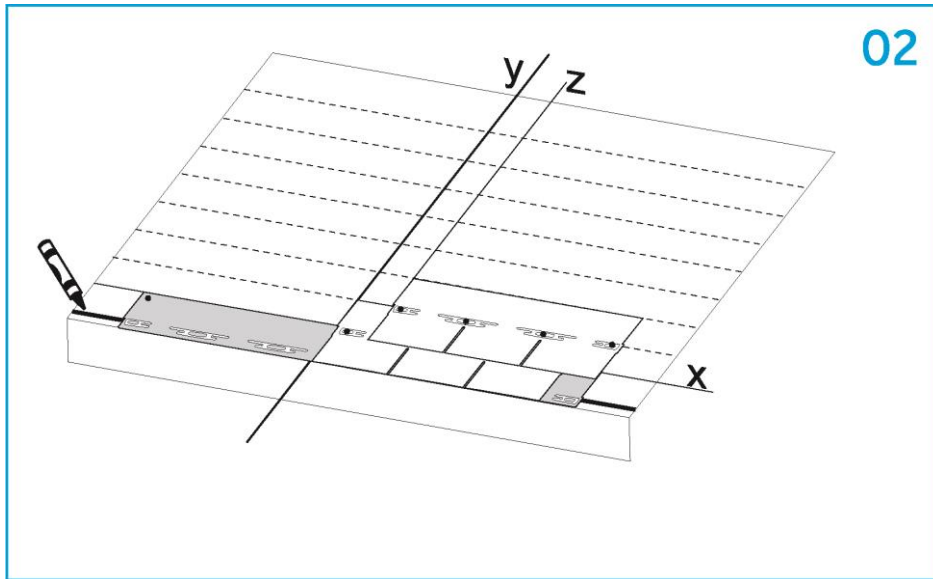
PENDIENTE TEJADO	ESQUEMA COLOCACIÓN TEGOLA STANDARD
9°-17° (15%-30%)	
17°-60° (30%-173%)	
60°-85° (173%-1100%)	

Image 1: Support slopes and fastener placement

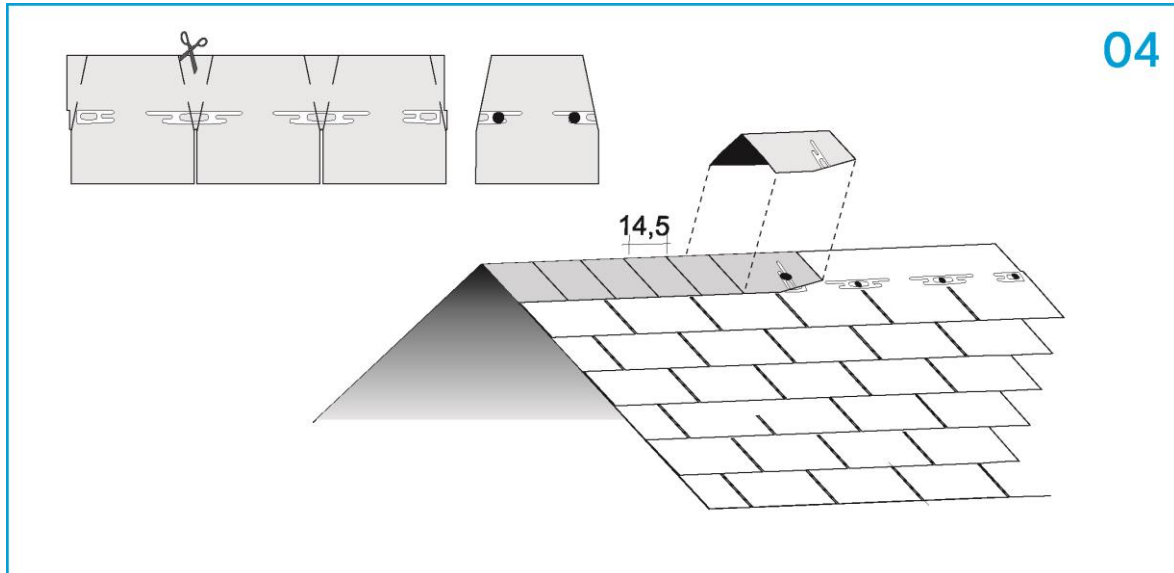
ANNEX I. INSTALLATION DIAGRAM



The information provided corresponds to data obtained in our own laboratories. This product will maintain these characteristics on average. ChovA, S.A. reserves the right to modify or cancel any parameter without prior notice. The guarantee of ChovA, S.A. is limited to the quality of the product. As for the commissioning, in which we do not participate, the requirements for the execution of the waterproofing specified in the applicable standards must also be met, both in the composition of the membranes and in their execution. This technical sheet will be canceled by subsequent revisions and, in case of doubt, request the latest revision.



The information provided corresponds to data obtained in our own laboratories. This product will maintain these characteristics on average. ChovA, S.A. reserves the right to modify or cancel any parameter without prior notice. The guarantee of ChovA, S.A. is limited to the quality of the product. As for the commissioning, in which we do not participate, the requirements for the execution of the waterproofing specified in the applicable standards must also be met, both in the composition of the membranes and in their execution. This technical sheet will be canceled by subsequent revisions and, in case of doubt, request the latest revision.



The information provided corresponds to data obtained in our own laboratories. This product will maintain these characteristics on average. ChovA, S.A. reserves the right to modify or cancel any parameter without prior notice. The guarantee of ChovA, S.A. is limited to the quality of the product. As for the commissioning, in which we do not participate, the requirements for the execution of the waterproofing specified in the applicable standards must also be met, both in the composition of the membranes and in their execution. This technical sheet will be canceled by subsequent revisions and, in case of doubt, request the latest revision.